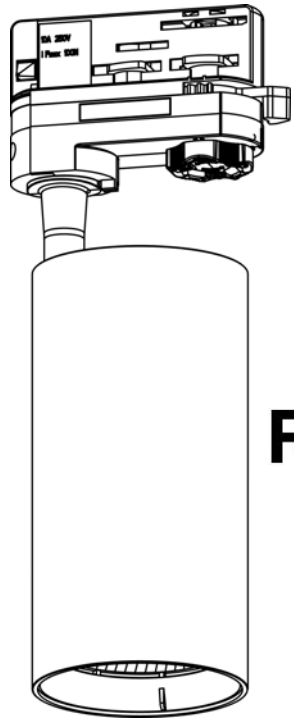


# LED Track Light Series



## LED TRACK SPOT LIGHT INSTRUCTION

### Description:

The product uses quality high brightness LED as light source, high reliable constant current power supply solution. The light body is made of high thermal conductive, UV resistant, flame retardant plastic to achieve safer insulation, and built-in pure aluminum sunflower radiator offer reliable heat dissipation performance. The reflective cup is made of pure aluminum, and the surface is processed with high reflective coating to provide a more uniform and comfortable lighting experience.

Easy installation and the irradiation direction is adjustable. No flickering, anti glare, beam angle 24 ° and 40 ° for options, and LED SDCM < 3 to ensure color consistency.

This product is widely used in shop, hotel, restaurant, and other occasions.

### Notes:

- ◆ The product uses Three-phase four wire track system, and the adapter must work with lamp tracks together
- ◆ To ensure safety, it must be installed by a professional electrician
- ◆ Do not install the product in high temperature or humid place.
- ◆ Storage conditions: room temperature and dry environment.

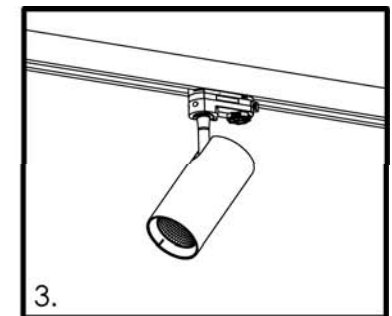
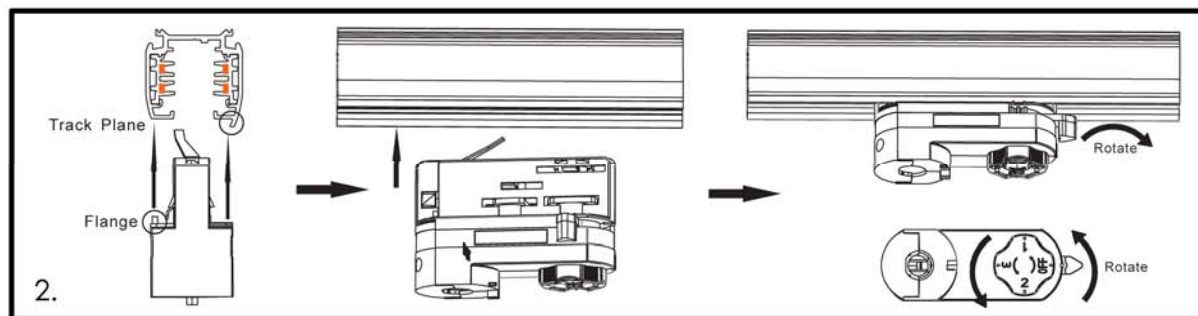
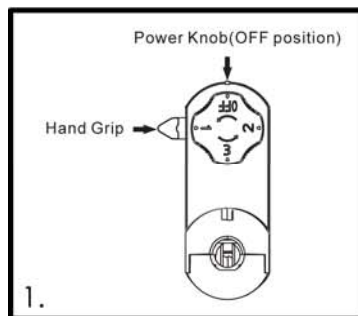
### Installation:

Figure 1. Turn off the power before installation. Turn the Power Knob and Hand Grip to the position as shown in the figure 1.

Figure 2. Make sure the adaptor flange is in the same as the track plane, and then press the track adaptor into the track system.

Pull the Hand Grip back to the end in the direction of the arrow, turn the Power Knob and select the(1,2,3 for options) phase as per your requirement.

Figure 3. Turn the lamp to the required direction and power on.

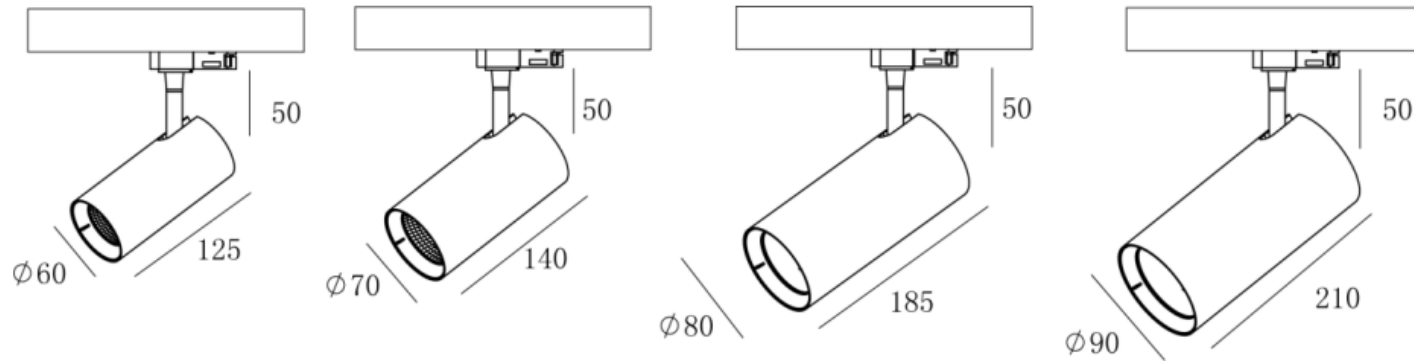


# LED Track Light Series

## Technical parameters:

|                              |             |       |       |             |       |       |             |       |       |             |       |       |
|------------------------------|-------------|-------|-------|-------------|-------|-------|-------------|-------|-------|-------------|-------|-------|
| <b>Input Voltage</b>         | 220-240V AC |       |       | 220-240V AC |       |       | 220-240V AC |       |       | 220-240V AC |       |       |
| <b>Current(A )</b>           | 0.09        |       |       | 0.07        |       |       | 0.14        |       |       | 0.21        |       |       |
| <b>Power (W)</b>             | 7W          |       |       | 10W         |       |       | 20W         |       |       | 30W         |       |       |
| <b>Power factor(PF)</b>      | >0.5        |       |       | >0.9        |       |       | >0.9        |       |       | >0.9        |       |       |
| <b>Color Temperature (K)</b> | 3000K       | 4000K | 5700K | 3000K       | 4000K | 5700K | 3000K       | 4000K | 5700K | 3000K       | 4000K | 5700K |
| <b>Luminous Flux</b>         | 570         | 630   | 630   | 870         | 950   | 950   | 1650        | 1750  | 1750  | 2400        | 2500  | 2500  |
| <b>Lifespan (h)</b>          | 50000       |       |       |             |       |       |             |       |       |             |       |       |
| <b>Beam (50%)</b>            | 40°         |       |       |             |       |       |             |       |       |             |       |       |
| <b>Protection Rate</b>       | IP20        |       |       |             |       |       |             |       |       |             |       |       |
| <b>CRI (Ra)</b>              | >80         |       |       |             |       |       |             |       |       |             |       |       |

## Dimension(mm):



### Warning



- \* Power should be cut off before installation, maintenance or inspection.
- \* Please install and use the light strictly according to the instruction.
- \* Do not disassemble or remold the product by own to avoid accident of electric shock or fixture falling.
- \* Working out of temp. range  $-20^{\circ}\text{C} \sim +40^{\circ}\text{C}$  will shorten the lifetime of luminaries.