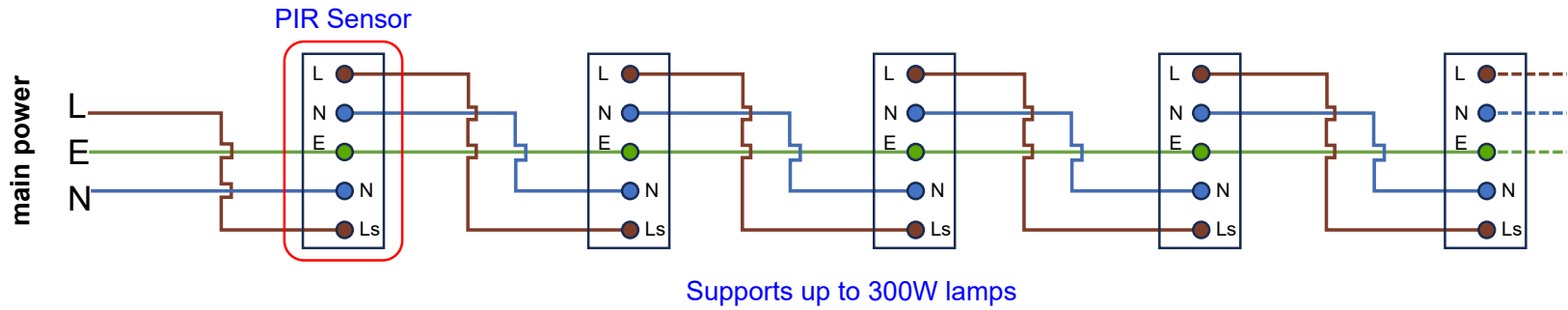
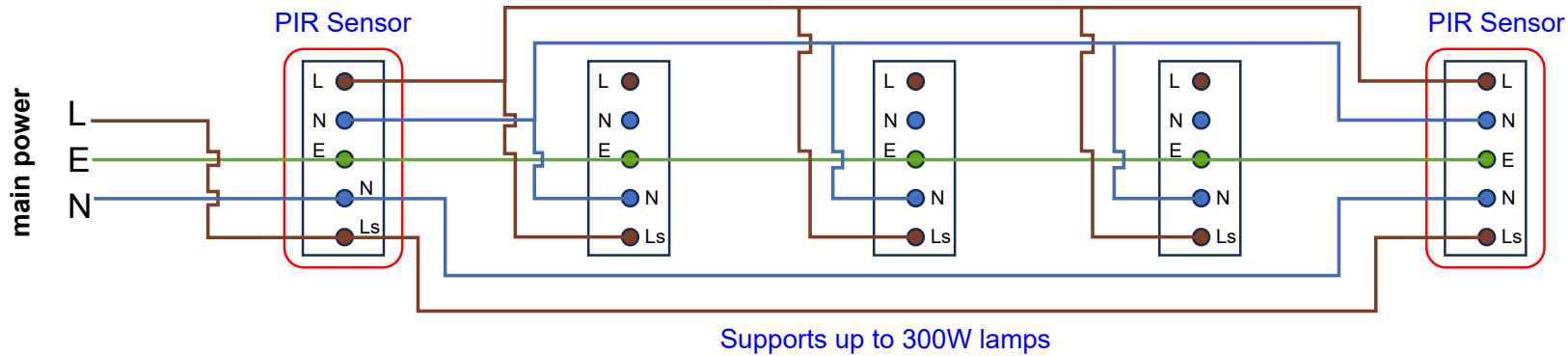


Single sensor control



Two sensor control



Multiple sensor control

