

## SPECIFICATION

Description	220-240V Electronic Transformer for 12V Halogen Lamp
Electrical Characteristics	Ta = 25°C, 240Vrms input, standard reference lamp; unless otherwise specified
Class II, IP20	

<b>Product Name</b>		ULTRA70
---------------------	--	---------

<b>Input Parameters</b>		
Rated Input Voltage	Uin	220-240V
Input Current (Full load)	Iin	0.29A
Input Frequency	fin	50/60Hz
Maximum Input Power	Pin	75W
Power Factor (Full load)	λ	0.99
THD(Full load)		≤10%
Efficiency (Full load)	η	95%

<b>Output Parameters</b>		
Output Voltage	Vout	11.5V±5%
Output Current (Full load)	Iout	6.0A
Output Power (Full load)	Pout	70W
Operating Frequency(Full load)	Fout	32~38KHz

<b>Ambient</b>		
Storage Temperature	ts	-20 ...+ 70°C
Operating Ambient Temperature	ta	-20 ...+ 50°C
Case Temperature at tc Point	tc	+80°C

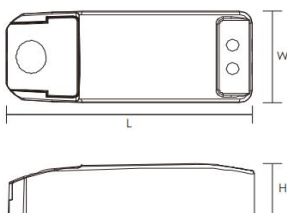
<b>Protection</b>		
No Load		Auto-recovery if fault is removed
Over Load		Auto-recovery if fault is removed
Short Circuit		Auto-recovery if fault is removed

<b>System Parameters</b>		
Withstand voltage		3.75KVAC, Ileakage<5.0mA, 60S
Average Service Life		50,000Hours
Dimming		Leading edge and Trailing edge dimmers

<b>Compliances and approvals</b>		
Safety		EN 61347-2-1
RFI		EN 55015
Harmonics		EN 61000-3-2
Immunity		EN 61547

- Note**
1. All parameters NOT specially mentioned are measured at 240VAC input, rated load and 25°C of ambient temperature.
  2. Ripple & noise are measured at 20MHz of bandwidth by using a 12" twisted pair-wire terminated with a 0.1uF & 47uF parallel capacitor.
  3. Expected Life:tc=80°C,0.2%/1000h failure rate

**Physical Parameter**



Dimensions(LxWxH): 113x44x28mm  
Housing Material:PC Plastic  
Captured Terminal Screw for 0.75~2.5mm²

